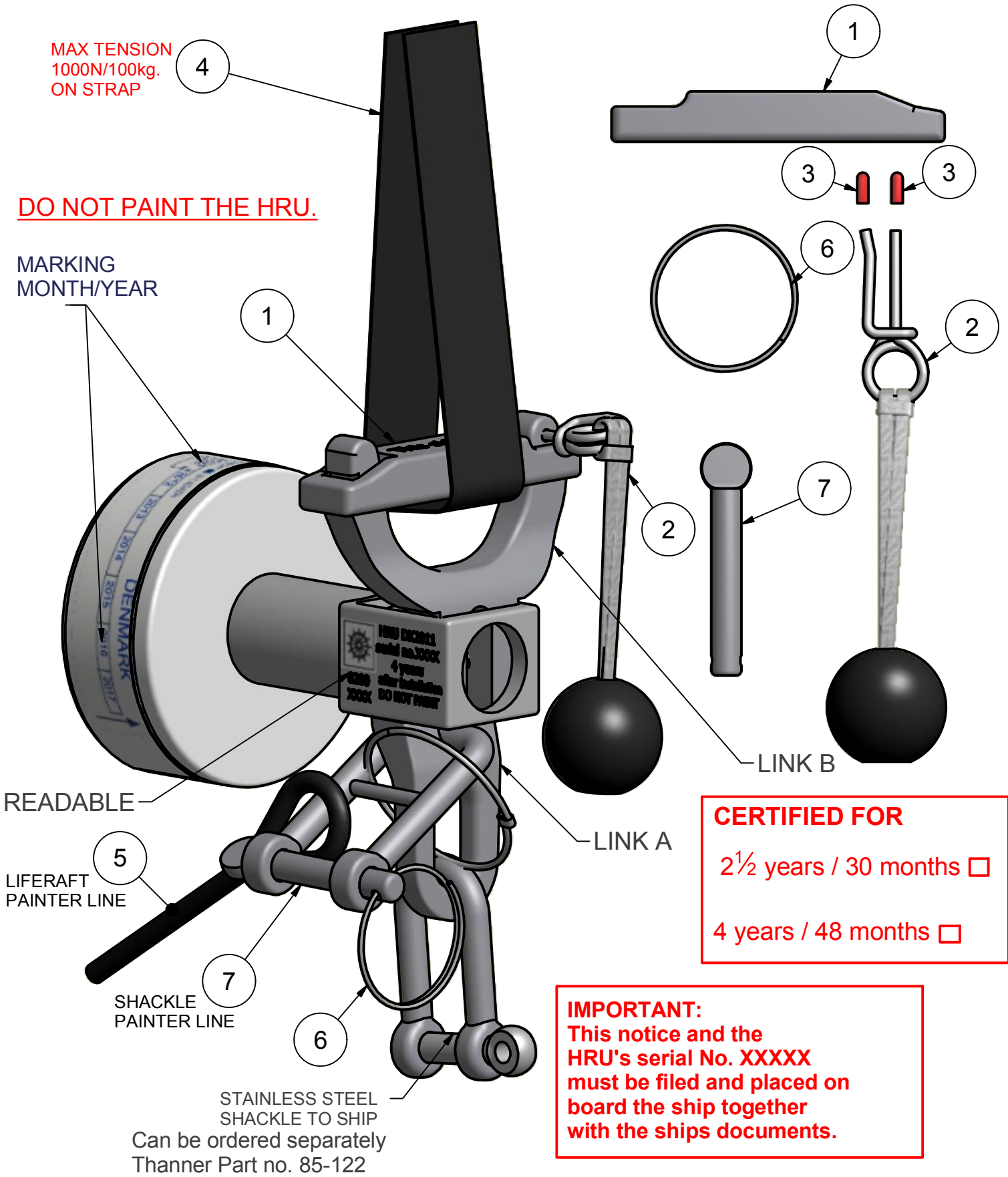


INSTALLATION ARRANGEMENT DK2011



Thanner A/S
Phone (45) 75130066
Email Admin@thanner.dk

Thanner HRU DK2011
30 months (2 ½ Years) / 48 months (4 Years)
Disposable Hydrostatic Release Unit
17.02.2017 86-049

THANNER HRU DK 2011

4 YEARS / 48 MONTHS HYDROSTATIC RELEASE UNIT(HRU)

2 ½ YEARS / 30 MONTHS HYDROSTATIC RELEASE UNIT(HRU)

The THANNER HRU's are designed for liferafts with min. 150N and max. buoyancy 15Kn(1500kg). Max. buoyancy complies with IMO & SOLAS regulations for this application.

NOTICE: THE DK 2011 IS DESIGNED AND APPROVED FOR 4 YEARS / 48 MONTHS AFTER CORRECT INSTALLATION. (see specification on frontpage)

NOTICE: THE DK 2011 IS DESIGNED AND APPROVED FOR 2 ½ YEARS / 30 MONTHS AFTER CORRECT INSTALLATION. (see specification on frontpage)

INSTALLATION:

The DK2011 is supplied complete including weak link. The unit must be installed in accordance with the manufacturers instructions. The installation is simple and should be fitted as illustrated on the back of this instruction.

IMPORTANT:

If moveable or loose dispose the HRU and replace with a new original packed in bubble bag.

To complete the installation 1x 6mm stainless steel shackle, attached the HRU bottom link (A) to the deck or cradle, is required. Shackle available at THANNER or commercial available.

check the expiry date has been marked on the unit
the installation is not acceptable to marine inspectors unless marked

If required container label Thanner Part no. 86-052 is available.

INSTALL AS PER INSTRUCTION, ONLY.

In the small plastic bag, find the shackle pin (7), locking ring (6), bar (1) for the link (B), locking device with webbing/ball (2) and the red caps (3).

Place the bar (1) to the link B as illustrated, push the locking device with the webbing through the rack and finally attach the red caps (3), see illustration on side.

When securing the painterline (5), attach the shackle pin to the painterline (5) and attach the locking ring (6) to the shackle pin (7).

Install the container in the cradle using the container strap (4) and fit the strap through the link (B) bar (1) and tighten up. **Max 1000N**

MANUAL RELEASE.

If the liferaft is to be launched manually, pull out the locking device (2) on the link bar and the liferaft becomes free and thrown overboard. Still connected to the deck or cradle through the painterline. Pull out the painterline from the liferaft, the liferaft will inflate and the liferaft is boardable. Cut the painterline when boarded and the liferaft floats free.

IMPORTANT:

This notice and the HRU's serial No. must be filed and placed on board the ship together with the ships documents