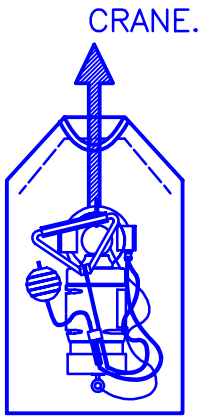




# THANNER & Co A/S

## THANNER SAFETY RELEASE HOOK. TYPE IRB-C.

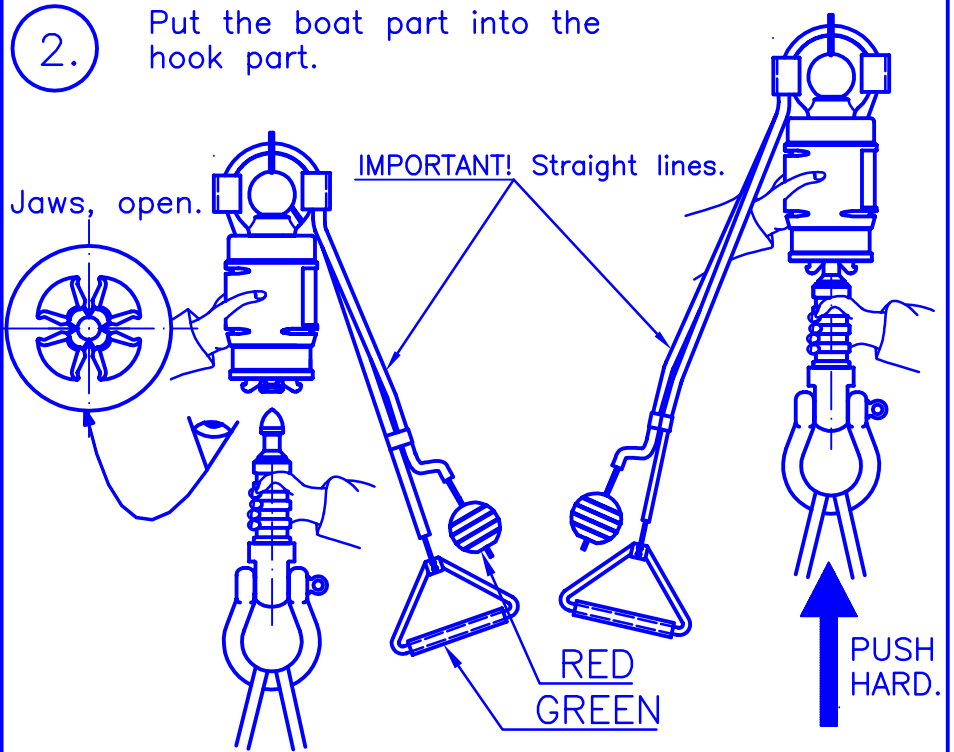
1.



Take out the hook and remove the dust protector.

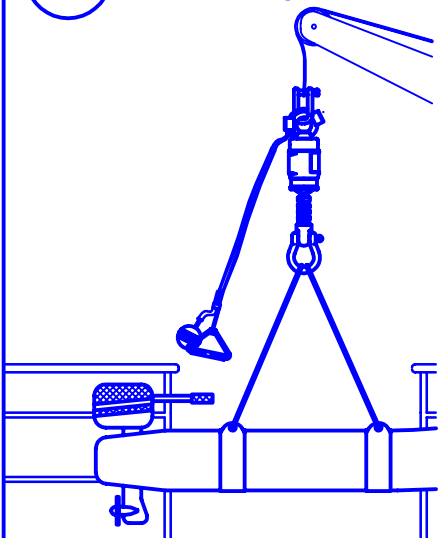
2.

Put the boat part into the hook part.



3.

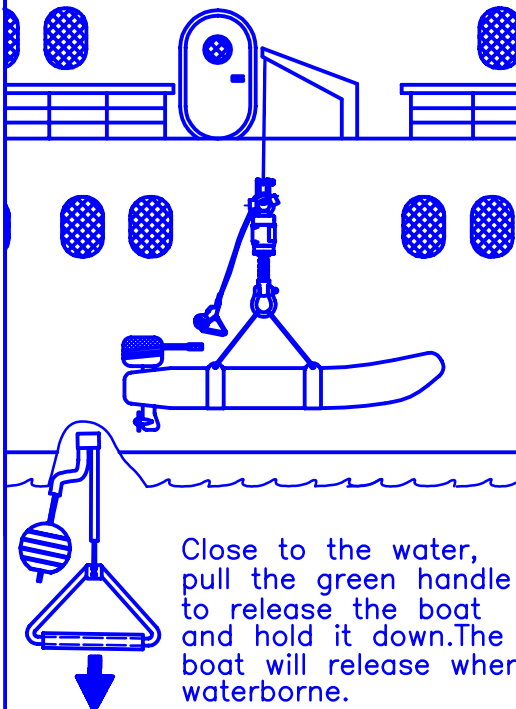
Launching.



Watch the release lines to avoid conflict during the launching.

4.

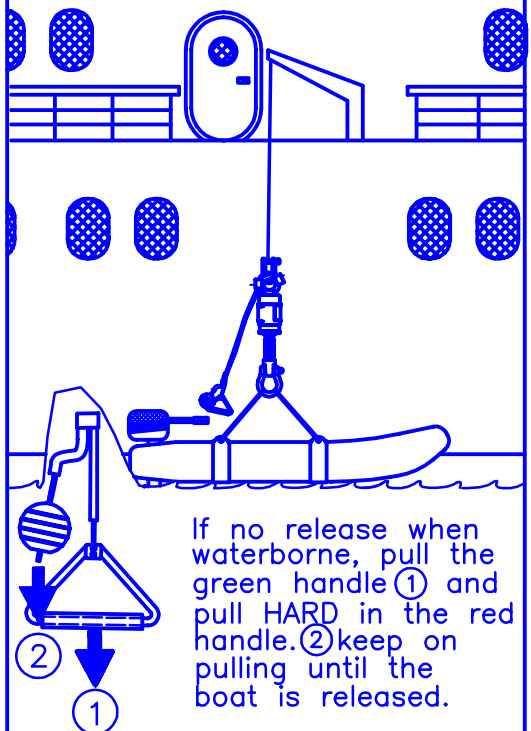
Normal release.



Close to the water, pull the green handle to release the boat and hold it down. The boat will release when waterborne.

5.

Emergency release.



If no release when waterborne, pull the green handle ① and pull HARD in the red handle. ② keep on pulling until the boat is released.